

# Embedded System

## BRIK Series



3V700D Back Panel



6 COM ver.( 3I270A )



LCM ver. ( 3V700D / 3I270D )



2.5" HDD ver.



3.5" HDD ver.

### Compact design for 3.5" SBC, excellent cooling function

**Application :**  
Network device, VPN, Firewall

**Technical Data :**

. Dimension	52 H x 187 W x 130 D ( 2.5" HDD ver. )
. Dimension	73 H x 187 W x 130 D ( 3.5" HDD ver. )
. Dimension	80 H x 187 W x 130 D ( 6 COM ver. )
. Material	Aluminum
. Color	Blue & Silver
. VESA Mounting	75 x 75 mm
. Weight ( Incl. M/B )	1.3 Kgs ( 2.5" HDD ver. )
	1.6 Kgs ( 3.5" HDD ver. )
	1.8 Kgs ( 6 COM ver. )
. Storage Space	2.5" HDD / 3.5" HDD
. Operation temperature	0 ~ 45 °C ( with 2.5" HDD )
	0 ~ 55 °C ( with CF Card )

**Optional Accessory :**

- . Wall mount kit

M/B Information: ( Please refer to M/B specification )



M/B Model	Description
3V700A	1 LAN / VGA / USB
3V700D	3 LAN / VGA or COM
3I270A	Intel Atom N270, 1 LAN / VGA / COM
3I270D	Intel Atom N270, 4 LAN / VGA



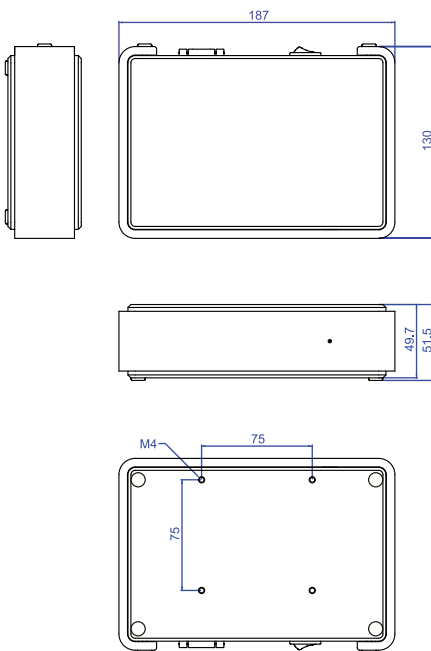
3V700A



3V700D

BRIK Chassis without top-cover

**Dimension: 2.5" HDD ver.**



**Dimension: 3.5" HDD ver.**

