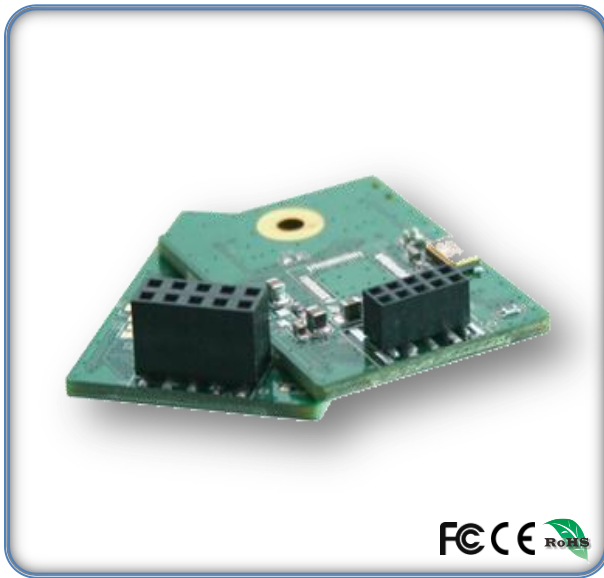


USB EDC HORIZONTAL



FEATURES

- Support static and global wear leveling algorithm
- Intelligent system for error recovery
- Excellent data transfer speed
- Pin Pitch 2.54mm

R: 32MB
W: 20MB

USB 2.0

ECC &
Wear Leveling

Specifications

Interface	Hi-Speed USB 2.0
Flash Type	SLC (Single Level Cell)
Density	512MB-16GB
Transfer Mode	USB 2.0 (compatible with USB 1.1)
Sustained R/W Performance	Read : 32 MB/sec (max.) Write : 20MB/sec (max.)
H/W Write Protect	Optional

Environmental

DC Input	5V
Power consumption (Max.)	Read: 120 mA Write: 120 mA
Operating Temperature	0°C~+70°C (Standard Grade) -40°C~+85°C (Industrial Grade)
Storage Temperature	-55°C~+95°C
Humidity	Relative Humidity: 10-95%, non-condensing
Flash Endurance	100,000 program/erase cycles
MTBF	> 3,000,000 hours
Certification	CE, FCC, RoHS
Warranty	5 years

Mechanicals

Dimension (W x L x H)	Pin Pitch 2.00mm: 26.6 x 36.9 x 6.6 mm
	2.54mm: 26.6 x 36.9 x 9.6mm
Weight	3.5g±0.05g
Vibration	7 Hz to 2K Hz, , 3 axes
Shock	Duration: 10ms, 50G, 3 axes

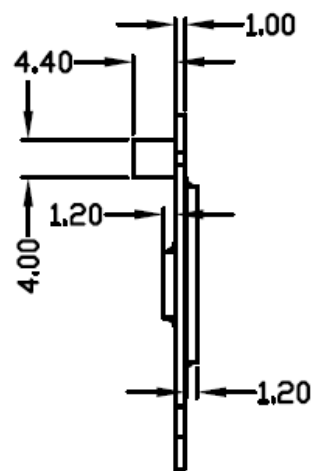
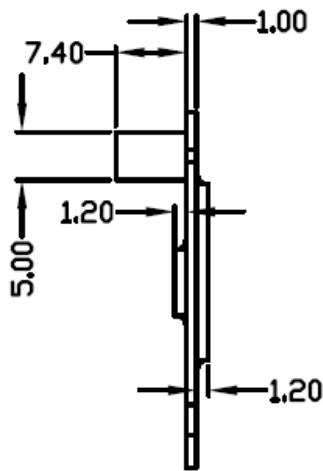
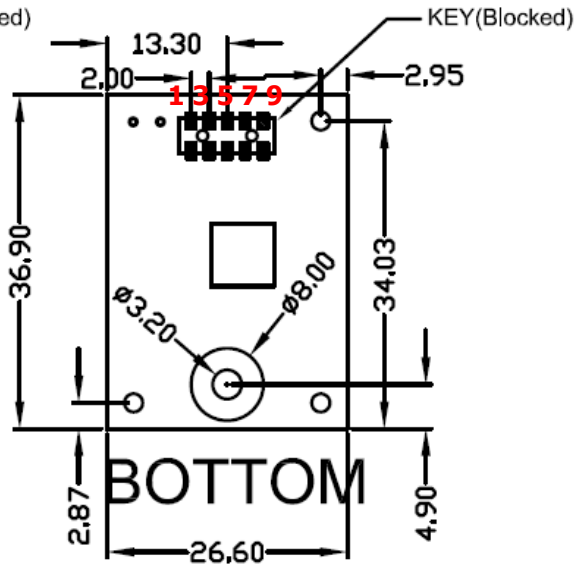
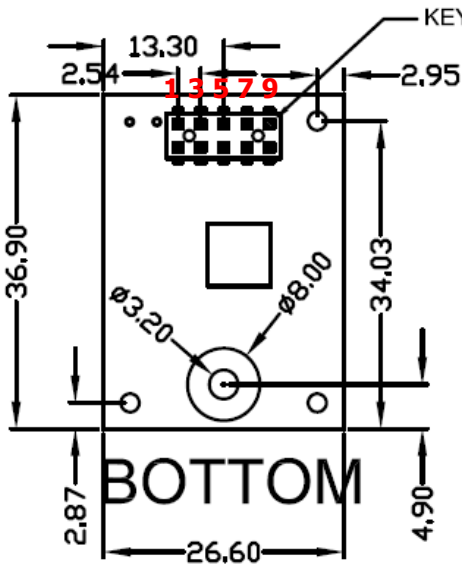
Ordering Information

Capacity	Standard Grade	Industrial Grade
512MB	DEUP(F)-512I21C1	DEUP(F)-512I21W1
1GB	DEUP(F)-01GI21C1	DEUP(F)-01GI21W1
2GB	DEUP(F)-02GI21C1	DEUP(F)-02GI21W1
4GB	DEUP(F)-04GI21C1	DEUP(F)-04GI21W1
8GB	DEUP(F)-08GI21C1T	DEUP(F)-08GI21W1T
16GB	DEUP(F)-16GI21C1T	DEUP(F)-16GI21W1T

*P: Pin Pitch with 2.00mm

*F: Pin Pitch with 2.54mm

Mechanical Dimension



Pin Pitch: 2.54mm

Pin Pitch: 2.00mm

Tolerance ± 0.1

Pin No.	Signal	Pin No.	Signal
1	+5VDC	2	NC
3	USB Data(-)	4	NC
5	USB Data(+)	6	NC
7	GND	8	NC
9	NC	10	NC

DESIGN • SERVICE • QUALITY • DELIVERY