



NEW PRODUCT



42" LCD Display
**LDT
422V**

Resolution	1920x1080 (Full HD)
Brightness	500 cd/m²(typ.)
Contrast Ratio	1300:1
Viewing Angle	Up and Down 178° Left and Right 178°
Response Time	9ms(Gray to Gray)
Energy Star 5.0	Certified

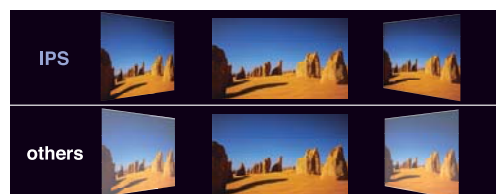


● **Full High-definition Resolution**

The native resolution of 1920 x 1080 (Full HD) enables precise high-definition content from both Video & PC sources to be displayed with vivid clarity, and with a wide range of signals are supported.

● **IPS Panel for Exceptional Wide-angle Viewing**

Wide 178° viewing angle in both horizontal and vertical directions. Colour-shift minimized when viewed from the sides, making it an ideal choice for large audiences.



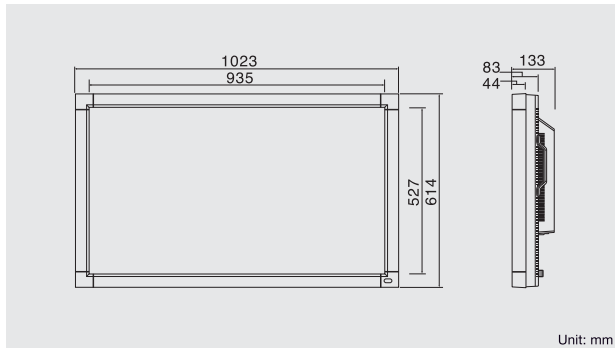
● **High Reliability - Engineered Specifically for Industrial/Commercial Public Display Applications**

Specifically engineered for public information displays and digital signage applications. Employs long-life components and specially selected panel specifications for commercial use.

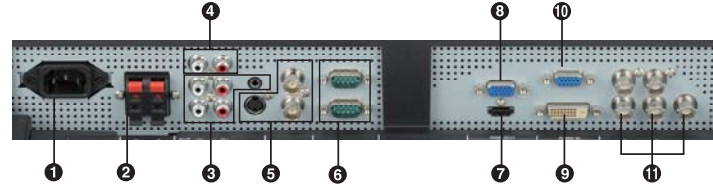
42" LCD Display LDT422V



Dimension



Connector Terminal



- ① AC In (3 Pin, with earth terminal)
- ② External Speaker Terminal
- ③ Audio In
- ④ Audio Out (RCA)
- ⑤ Video Input/Output (BNC/S-Terminal)
- ⑥ RS-232C Connector (D-sub 9 Pin)
- ⑦ RGB 1 In (HDMI)
- ⑧ RGB Out (Mini D-sub 15 Pin)
- ⑨ RGB 2 In (DVI-D)
- ⑩ RGB 3 In (Mini D-sub 15 Pin)
- ⑪ RGB 4 In, DVD/HD In (BNC)

Specifications

Orientation		Landscape / Portrait
LCD Module	Diagonal	42" (1067mm)
	Panel Type	IPS
	Pixel Pitch	0.485mm
	Resolution	1920 x 1080 dots (Full HD)
	Colour	Approximately 1.06 Billion
	Brightness (typ.)	500cd/m ²
Viewable Size	Contrast Ratio	1300:1
	Viewing Angle (CR≥10)	Up and Down 178° / Left and Right 178°
	Response Time	9ms (Gray to Gray)
Power Management		930.2mm x 523.3mm / 36.6" x 20.6"
Plug and Play		VESA DPM
Auto Adjustment		VESA DDC2B, DDC/CI
OSD User Functions		Yes (Contrast / Position / Phase/ Clock)
PC Input / Output	Input Connector (Analog)	Mini D-sub 15 Pin, BNC (R, G, B, H, V) (PC/AV common)
	Input Connector (Digital)	HDMI (PC/AV common), DVI-D (PC/AV common)
	Output Connector	Mini D-sub 15 Pin
	Horizontal Frequency	15.625 / 15.734, 31.5kHz - 91.1kHz
	Vertical Frequency	50.0 / 58.0Hz - 85.0Hz
	Video Signal	Analog: Analog RGB, Digital: TMDs (with HDCP)
Input / Output Signal	Sync Signal	Analog: Separate(TTL), Composite(TTL), Sync On Green, Digital:TMDs
	Supported Resolution	640 x 480, 800 x 600, 1024 x 768, 1280 x 768, 1360 x 768, 1280 x 1024, 1600 x 1200 (Compressed/Simplified), 1920 x 1080, 1920 x 1200 (Compressed/Simplified)
	Input Connector (Analog)	Composite <BNC>, Separate (Y/C) <S-Terminal>, Component (Y/Pb/Pr)<BNC> (PC/AV common)
	Input Connector (Digital)	HDMI (PC/AV common), DVI-D (PC/AV common)
	Output Connector	Analog: Composite <BNC>
	Supported Resolution	Composite/Separate: NTSC, PAL, SECAM, 4.43 NTSC, PAL60 Component/Digital: 480i, 480p, 576i, 576p, 720p, 1080i, 1080p
Audio-Input/ Output	Input Connector (Analog)	RCA pin-jack L/R x 2, Stereo mini jack
	Input Connector (Digital)	HDMI (digital audio)
	Output Connector	RCA pin-jack
Speaker / Audio Output		External Speaker Jack, 7W + 7W (8 ohm)
Power Supply	Control Input/ Output	RS-232C<D-sub 9 Pin>
	Input Voltage / Current	RS-232C<D-sub 9 Pin>
	Power Consumption	2.1A - 1.0A@AC100 - 240V, 50/60Hz
Operational Environment	Power Consumption at Power Saving	203W (182W without speaker)
	Temperature	Less than 2W, Mechanical Power SW off: 0W
	Humidity	5 to 40°C / 41 to 104°F (Landscape Mode), 5 to 35°C / 41 to 95°F (Portrait Mode)
Dimension (W x H x D)	Net without stand	20 - 80% (without condensation)
	Gross	1023mm (W) x 614mm (H) x 133mm (D) / 40.3" (W) x 24.2" (H) x 5.2" (D)
Weight	Net without stand	1150mm (W) x 775mm (H) x 295mm (D) / 45.3" (W) x 30.5" (H) x 11.6" (D)
	Gross	Approximately 21kg / 45lbs
Wall Mounting Interface		Approximately 28kg / 61lbs
Complied Regulatory and Guidelines		12 holes (100mm / 3.94" pitches) for monitor mount
Accessories		UL60950-1 / C-UL / EN60950-1 / CE / GOST-R / FCC-B / DOC-B / EN55022-A / EN55024 / EN61000-3-2 / EN61000-3-3 / C-Tick / Energy Star / CCC only for Chinese model
		Power Cord, Video Signal Cable (Mini D-sub 15 Pin to Mini D-sub 15 Pin Cable), User's Manual, Wireless Remote Control, Battery, Clamper (for securing cables), Clamper (to prevent from falling), Screw (M4x8) (for Clamper), Main Switch Cover, Screw (3x6) (to fix main switch cover)

 **MITSUBISHI ELECTRIC EUROPE (BENELUX Office)**

Nijverheidsweg 23A, 3641 RP Mijdrecht - The Netherlands
Tel: +31 (0)297-282461 Fax: +31 (0)297-283936 - www.MitsubishiElectric.nl

- All information contained herein may be changed without prior notice.
- HDMI, ~~HDMI~~ and High-Definition Multimedia Interface are trademarks or registered trademarks of HDMI Licensing LLC in the United States and other countries.
- Other brand, product, and service names are trademarks or registered trademarks of the respective companies.
- Products and services in this brochure do not imply that Mitsubishi Electric Corporation intends to have them available in all countries where Mitsubishi Electric Corporation and its subsidiaries operate.
- Photographs are simulated images.

