

# Encore GC

## Graphical Control for Encore/ScreenPRO-II Processors



### Encore GC Features

- Router support (Barco & others)
- Encore VP or SP-II control with the ECU
- Input, Background/DSK, Output Setup
- Backup and restore support
- Widescreen Support
- Multiple destination support with single preset
- Layer (size and position) Control
- Frame store support
- Effects (Freeze, Z-order)
- ImagePRO as Aux
- Split/Mix Mode functions
- Multiple & single destinations
- Stack mode support
- 3rd party remote Control (i.e. Crestron, AMX, Medialon)
- Moves (through presets)
- 160 presets
- Luma Keying
- Auto preset conflict resolution

The Encore GC (Graphical Controller) is a software program designed to control the Encore and ScreenPRO-II Video Processors as well as signal routers — without the need for external control panels. As an intuitive interface, the Encore GC simplifies your system configuration and provides a cost effective total solution for your event requirements. The Encore GC runs on Windows® XP™, or Vista™, and provides most functions currently available from the Encore or ScreenPRO-II controllers.

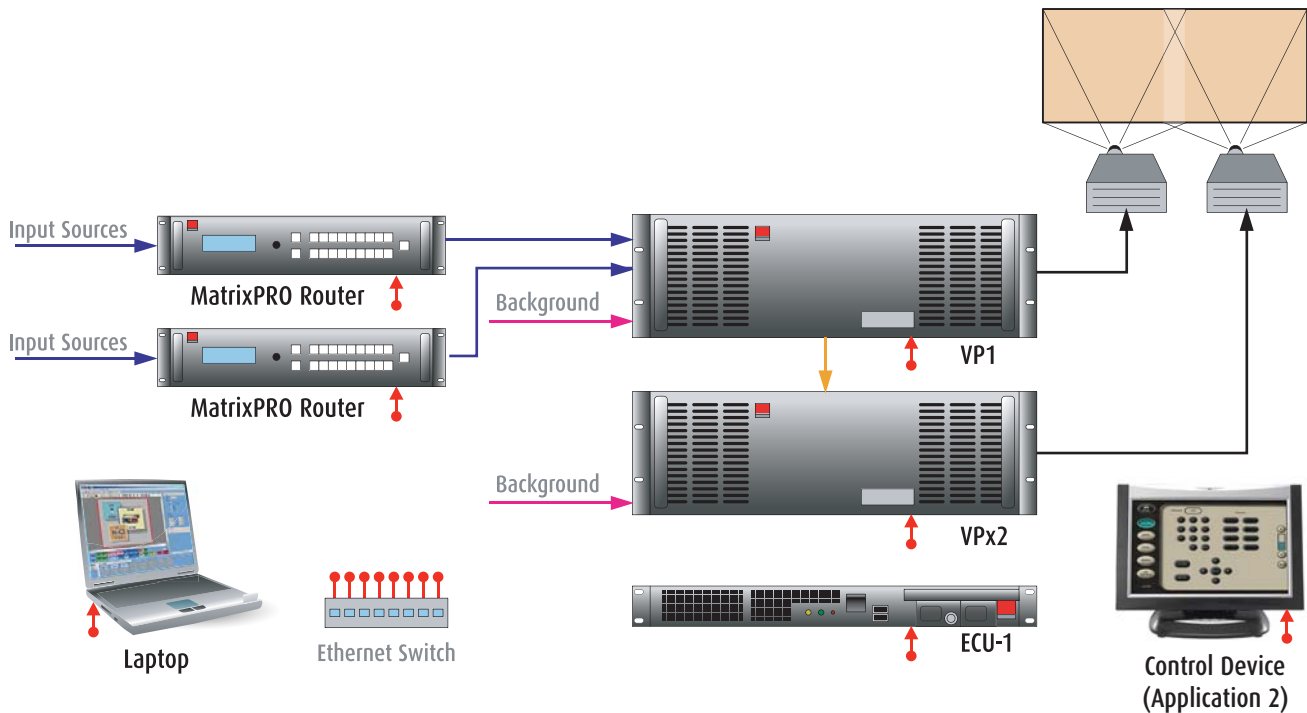
Communication between the Video Processors, routers and the computer running the Encore GC is achieved through the ECU; a 19", rack-mountable, 1-RU, Linux based unit. The ECU also interfaces with third party remote control devices such as Crestron, AMX or Medialon. In this mode, presets are created with Encore GC and stored in the ECU. The third party remote device triggers the presets by sending the corresponding commands to the ECU.

**BARCO**

Visibly yours

## Application Diagram

System versatility - The diagram below illustrates two different applications utilizing an Encore VP/VPx system that is configured and controlled from Encore GC and the ECU.



### Application 1

- Program the application and create presets with the Encore GC running on a laptop (Presets are stored in the ECU).
- Run the application from the laptop using the EncoreGC and the ECU.

### Application 2

- Program the application and create presets with the Encore GC running on a laptop (Presets are stored in the ECU).
- Connect the external control device (Crestron, AMX, Medialon) to the ECU. The laptop can be removed.
- Recall presets from the external control device.
- The ECU executes the presets initiated by the control device.

## Specifications

Encore Control Unit (ECU) Specifications	
Chassis	H: 1.73 in. (4.39 cm), 1 RU rack mount
	W: 16.79 in. (42.64 cm), 19.06 in. (48.41 cm) with rackmount
	D: 18.00 in. (45.72 cm)
Power Connector	Standard IEC, integral on/off switch
Power requirements	100-240 VAC, 50-60 Hz, 1.5 - 0.75A
Operating temperature	0 - 60°C (32 - 140°F)
Operating Humidity Range	5% - 95% non-condensing
Weight	7.25 Kg (16 pounds)