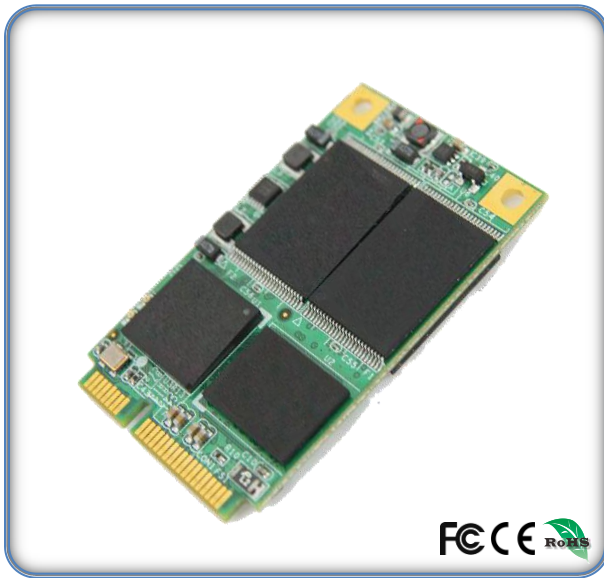


EverGreen mSATA



FCC CE RoHS

Features

- L2 Architecture enhanced, least 10 times lifespan prolonged
- S.M.A.R.T. & i-S.M.A.R.T. Supported
- Built-in hardware BCH ECC
- Bad block management
- Excellent data transfer performance

R:120MB/s
W:50MB/s

SATA II
3Gb/s

ECC &
Wear leveling

Thermal
sensor

S.M.A.R.T

Long Life

Specifications

Connector Type	miniPCIe Pin Define for SATA Signal, 23:TX+; 25:TX-; 31:RX-; 33:RX+
Flash Type	MLC (multi level cell)
Density	4GB, 8GB, 16GB, 32GB, 64GB, 128GB
Interface	SATA II, SATA I, PIO 0~4, MDMA 0~2, UDMA 0~6
Sustained R/W Performance	Read : 120 MB/sec (max.) Write : 50 MB/sec (max.)

Environmental

DC Input	+5V DC \pm 5%
Power consumption (Max.)	Read: 300mA Write: 450 mA Idle: 150mA
Operating Temperature	0°C~+70°C (Standard Grade) -20°C~+85°C (Extended Grade)
Storage Temperature	-55°C~+95°C
Humidity	Relative Humidity: 10-95%, non-condensing
Flash Endurance	3,000 program/erase cycles
MTBF	> 3,000,000 hours
Certification	CE, FCC, RoHS
Warranty	3 years

Mechanicals

Dimension (W x L x H)	29.85mm x 50.8mm x 3.5mm
Weight	9g \pm 2g
Vibration	7 Hz to 2K Hz, , 3 axes
Shock	Duration: 0.5ms, 1500G, 3 axes

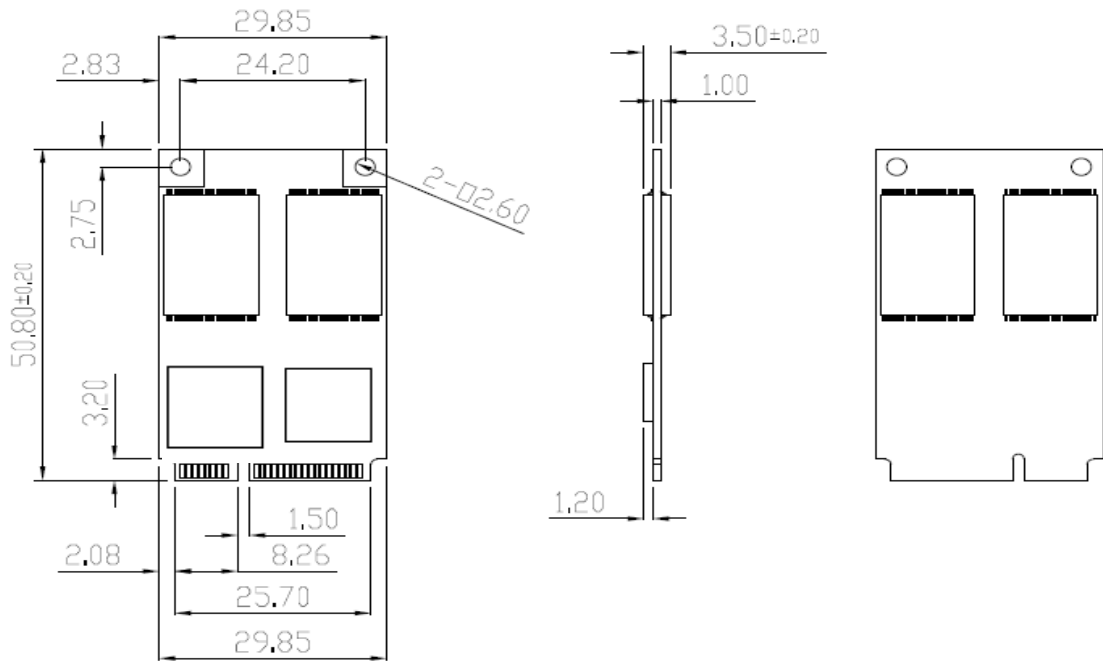
Health monitoring Tool

S.M.A.R.T.	Supported
i-S.M.A.R.T.	Supported (Utility for Windows, Linux)

Ordering Information

Capacity	Standard Grade	Extended Grade
4GB	DRPS-04GJ20BC1SN	DRPS-04GJ20BE1SN
8GB	DRPS-08GJ20BC1DN	DRPS-08GJ20BE1DN
16GB	DRPS-16GJ20BC1QN	DRPS-16GJ20BE1QN
32GB	DRPS-32GJ20BC1QN	DRPS-32GJ20BE1QN
64GB	DRPS-64GJ20BC1QN	DRPS-64GJ20BE1QN
128GB	DRPS-A28J20BC1QN	DRPS-A28J20BE1QN

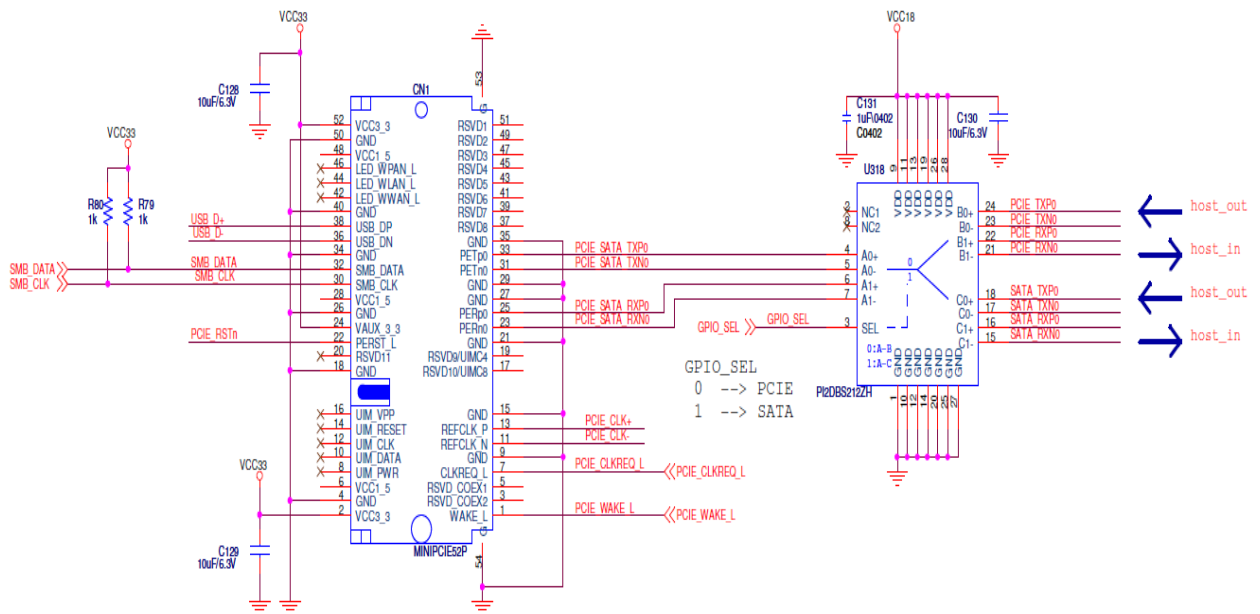
Mechanical diagram



Tolerance ± 0.1mm

*The pin assignment, component keep out area of EverGreen mSATA is followed by JEDEC MO300 Specification.

PCIe and SATA Signal Switch MB Reference Circuit Design



We suggested MB can be designed a "signal bus switch IC" to transfer the differential channels. Due to the bi-directional nature of bus switch IC, it can be used to allocate bandwidth between PCI express and SATA II signal. You can increase one more option for your miniPCIe device.

DESIGN • SERVICE • QUALITY • DELIVERY

