

FPC-3500

Robust Vehicle Computer with Intel® Atom™ D525 Platform



Features

- Ultra Low Power and Fanless Design
- Serial Port 2 x RS-232, 2 x RS232/485 with 12V Power Output
- Smarter Ignition Power on/off, Delay-time and Low Voltage Protection
- Over-voltage and Reversed Power Input Protection
- Isolated Digital I/O with +12/+5V Power Output
- Build-in Wireless Communication Module (3.5G, GSM/GPRS, WLAN)
- Wide Range DC Power Input (6~32V)
- Multiple Expansion (1 x PCIe x1, 1 x CF, 1 x SD, 1 x SIM)
- Rugged Design for Shock/Vibration Protection
- Easy Installation/Maintenance

System

CPU	Soldered onboard Intel® Atom™ D525 1.8GHz CPU
Memory	2 x 204-pin Dual channel DDR3 SO-DIMM sockets up to 4GB at 800MHz
Chipset	Intel® D525 + ICH8M
Graphics	Integrated Intel® GMA3150
ATA	2 x Serial ATA ports with 300MB/s HDD transfer rate
Watchdog Timer	1~255 levels reset

Peripherals and Devices

Serial Port	2 x RS-232 ports 2 x RS-232/485 ports
USB Port	6 x USB2.0 ports (2 x waterproof LTE connectors for four USB 2.0 ports)
LAN	1 x RJ-45 for Gigabit Ethernet
Video Port	2 x DB-15 female connectors for Analog RGB (Clone mode) 1 x DB-26 male connector for single/dual channel 18-bit/24-bit LVDS output
Digital I/O	1 x 16-bit digital I/O: 8 in/8 out
Audio	Mic-in/Line-out (6W pre-amplified)
GPS	1 x GPS module
GSM/UMTS	Up to HSUPA 3.75G
WiFi	Integrated WLAN 802.11 b/g/n
Expansion Bus	1 x PCIe x1 slot 1 x Mini-card slot 1 x Mini-card slot interconnected with SIM card for HSUPA module 1 x SIM socket (outside accessible)

Environmental

Operating Temp.	-20 ~ 70°C (-4 ~ 158°F), ambient w/ air flow
Storage Temp.	-40 ~ 85°C (-40 ~ 185°F)
Relative Humidity	10~95% @ 40°C (non-condensing)
Vibration	3 Grms/5~500Hz/random operation
Shock & Crash	Operating 20G (11ms), Non-operating 40G with HDD Operating 40G (11ms), Non-operating 60G with CF/SSD Crash 80G (11ms)

Qualification

Certification CE, FCC, e13 Mark compliant

Power Requirement

Power Input	DC 6~32V input (w/ 3-pin DC input terminal block)
Power Output	2 x 1-pin lockable jack for 12V/1A power output
FUSE	1 x FUSE receptacle w/ cover (outside accessible)
Power Consumption	TBD

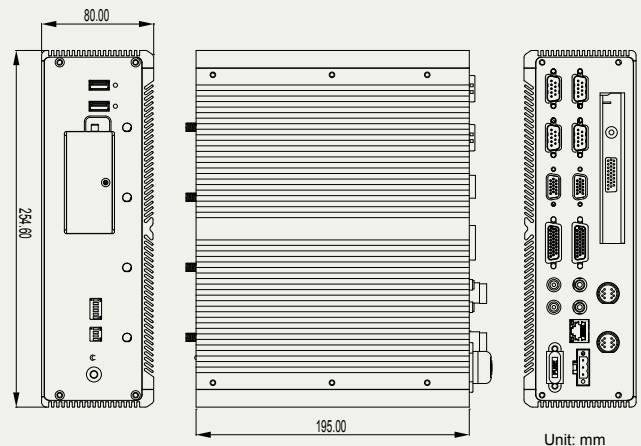
Storage

Type	1 x 2.5" drive bay for HDD/SSD 1 x CompactFlash Type II Socket (outside accessible) 1 x SD socket (outside accessible)
-------------	--

Mechanical

Construction	Aluminum alloy
Mounting	Support wall-mounting
Weight	TBD
Dimensions (W x Dx H)	254 x 195 x 80 mm (10" x 7.68" x 3.15")

Drawing



Ordering Information

FPC-3500	Vehicle BOX system w/o storage device
SSD-25080	Intel® 2.5" 80GB SATAII SSD kit
CBK-01-1585-14	GTC-10P to GTC-USB-A x2,L:2m

All specifications are subject to change without notice.