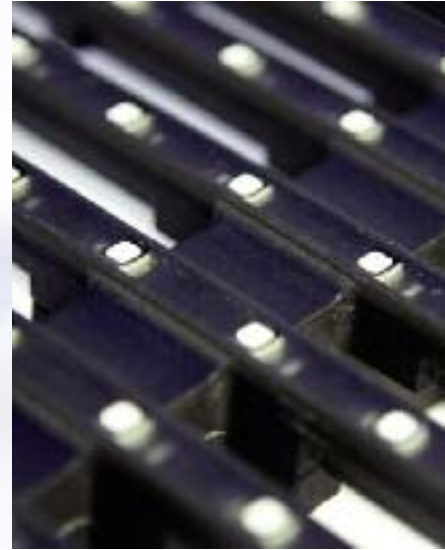


# MiTRIX

## See through to the future!



### Key benefits:

- Small, lightweight and transparent
- Superior, full video image quality
- Director Toolset software for unlimited design creativity
- Rugged and strong all-metal design
- Fast and easy setup
- Excellent color uniformity thanks to precise calibration

The MiTRIX is a highly transparent, bright and lightweight modular LED screen for indoor and most outdoor applications. With a 24mm pixel pitch and 3000 Nit brightness, the MiTRIX sets a new standard of performance in the creative LED display segment.

Based on the proven Barco OLite LED platform and through precise calibration, the MiTRIX delivers outstanding image quality and excellent color uniformity. The small size and low weight of the MiTRIX modules in combination with Barco's renowned Director Toolset software enables unprecedented degrees of creative freedom, only limited by your imagination.

With its all-metal construction and integrated rental structure, the MiTRIX is built to withstand the rigors of life on the road. MiTRIX can be used in an endless mixture of applications, such as large canvas backdrops for concert touring, trade shows and integration into innovative architectural designs. And the best part is that you control the transparency — simply by varying the brightness of the content, the background lighting, and your inspiration.

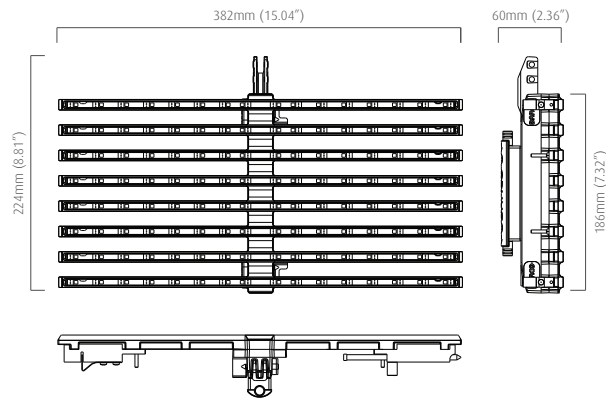
**BARCO**

Visibly yours

# MiTRIX specifications

Pixel pitch	24 mm
Brightness	3,000 Nit
LED configuration	3-in-1 SMD
Pixel density	1,736 LEDs/m <sup>2</sup>
Viewing angle (horizontal & vertical)	> 145°
Transparency (see through factor)	55%
Lifetime (full white, half brightness)	50,000 hours
Power consumption	max. 50W/tile
Weight/tile	1.3kg
Processing	16 bit per color
Colors	185 trillion
Refresh rate	800Hz minimum (PAL/NTSC)
Connection (power and signal)	d-Sub 25
Max. truss build-up	48 tiles high (9,2m)
Temperature range (operating)	-20 to +45°C
Temperature range controller (operating)	Depending of content and number of MiTRIX tiles connected: 24 tiles per controller/typical video content: -20°C to +40°C ambient 20 tiles per controller/full white content: -20°C to +35°C 20 tiles per controller/typical video content: -20°C to +45°C
Humidity range (operating)	10 to 99%
Protection rating	IP65 conform IEC/EN60529 (limited outdoor use: prevent from possible floodings or deluges)
D320 input compatibility / signal compatibility	Data DVI up to UXGA, SDI, HD-SDI, S-video, composite, YUV
Certification	ETL, CE, TUV, FCC Class A
Order information	R9004085F24 (flight case with 24 tiles) R9004085F96 (flight case with 6 rentalframes and 96 tiles incl. Cables) R9853030 (controller - for 20 tiles or 24 at reduced brightness) R9004086 (4 hanging brackets 1 wide) R9855874 (Hanging bracket 3 wide) R9855875 (Hanging bracket 4 wide) R9855877 (8 rentalframe hanging brackets in flightcase)
Tile dimensions (W x H x D)	382 x 186 x 60mm (incl. attached connector)

Note:  
The center to center pitch is 384mm  
horizontal and 192mm vertical.



Ref.no. R599140 - March 2008

The information and data given are typical for the equipment described.  
However any individual item is subject to change without any notice.  
The latest version of this product sheet can be found on [www.barco.com](http://www.barco.com).

Barco Media & Entertainment - WW headquarters  
Noordlaan 5, 8520 Kuurne - Belgium  
Tel. +32 56 36 80 47 - Fax +32 56 36 83 86  
e-mail: [sales.media@barco.com](mailto:sales.media@barco.com)  
[sales.events@barco.com](mailto:sales.events@barco.com)

**BARCO**