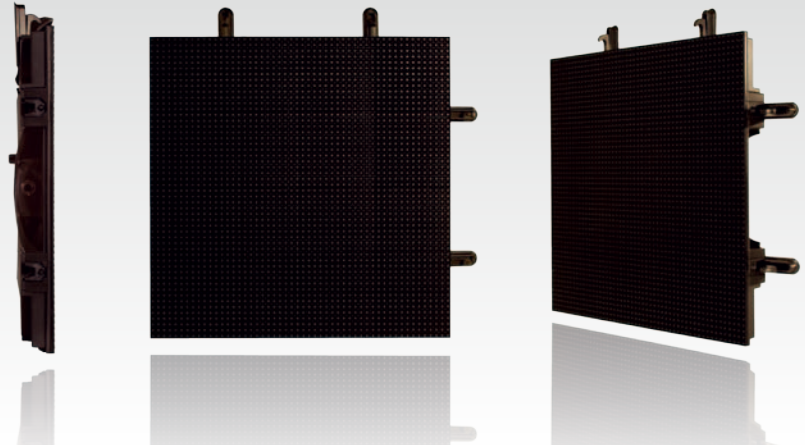


C7

Lightweight, indoor LED video display



Key benefits

- Lightweight
- Ultra-thin
- Fanless
- Low power consumption
- 2,000 nits light output
- Integral rigging
- No tools required for assembly
- Curved implementations
- Low total cost of ownership

Barco's C7 LED video display is an indoor solution for both rental and permanent installations.

C7 is the culmination of an extensive research and development program, resulting in next-generation display technology that renders existing alternatives obsolete. The C-series is the industry's first truly environmentally friendly display, with a fraction of the power consumption and heat generation of other LED displays. It also features a true 100,000-hour lifetime along with RoHS.

Fortunately, being green doesn't mean sacrificing performance. With its 2,000 nits high contrast calibrated output, C7 stands out in the most demanding environments. Superior color reproduction is achieved through sophisticated calibration and control algorithms. All this technology comes in an ultra-thin, fanless enclosure requiring no tools for deployment and servicing.

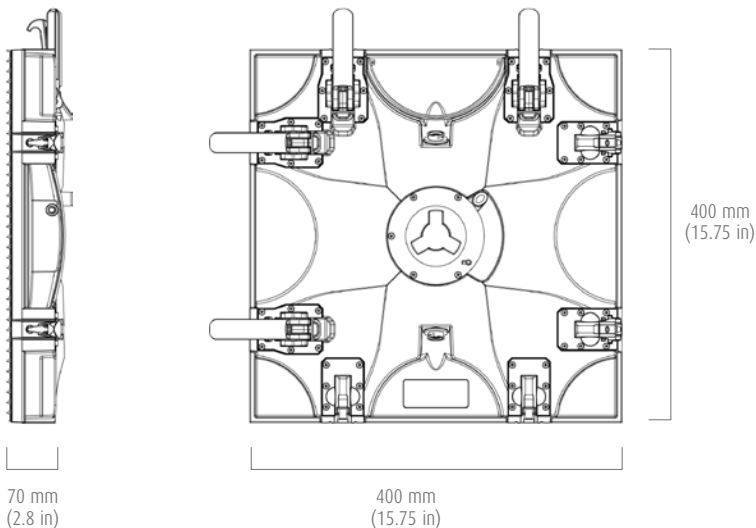
C7 is driven by the Vizomo digitizer to offer the world's most flexible processing. Combined with RasterMAPPER software, the Vizomo digitizer offers unlimited creative possibilities for C7. Zoom, crop, and create multi-windows without additional equipment.

BARCO

Visibly yours

Technical specifications

Dimensions (W x H x D)	400 x 400 x 70 mm
Physical resolution	7.69 mm, 52 x 52 pixels per tile, 16,900 pixels/m ²
Brightness	2,000 nits (cd/m ²) calibrated
Weight	6.4 kg/panel, 40 kg/m ²
Max power consumption	120 W/panel, 750 W/m ²
Average power consumption	24 W/tile, 150 W/m ²
Contrast ratio	3,500:1
Viewing angle	140° horizontal x 140° vertical (to 50% brightness)
Pixel configuration	RGB 3-in-1 SMD, black package
Color depth	16 bit per color
Refresh rate	1,024 – 4,096 Hz
Temperature range	0° C to 40° C (operating)
Compliance	ETL, FCC, CE, CCC, RoHS (pending)
Lifetime	> 100,000 hours at full white to ½ brightness
Max rigging load	25 panels (10 m) with integral rigging hardware Displays >10 m tall require auxiliary support system
Connections	Integrated power + data connector
Mains input	200 – 240 VAC 50/60 Hz
Video input (Vizomo)	DVI 50/60 Hz - SD/HD-SDI
Color processing (Vizomo)	32 bit floating point
Total colors (Vizomo)	281 trillion



M00419-R01-0211-DS February 2011

While the information and data given are typical for the equipment described, product specifications are subject to change without notice. The latest version of this product sheet can be found at www.barco.com.

Barco
 Pres. Kennedypark 35
 B-8500 Kortrijk, Belgium
 Tel: +32 56 36 80 47
 Fax: +32 56 36 83 86
sales.media@barco.com

BARCO

Visibly yours