

## CV700A / CV702A Series

### Application

Network Appliances for Firewall, VPN, Server and Access Controller for Wire/Wireless LAN.

### Features



### Specifications

- . CPU type VIA V4 Eden / ULV or C7 Nano-BGA2 400 pin L1 128 KB, L2 128 KB on die
- . Front Side Bus 400 / 533 MHz
- . MB Chipset VIA CN700 + VT8237R Plus
- . Graphics Integrated with VIA CN700  
Shared system memory up to 64 MB
- . LVDS (option) Data format of 18 bits / 24 bits
- . Memory 1 x DDRII SDRAM ( max. 1GB )
- . IDE Ultra DMA-133 / 100 / 66, 1 x 40 pin 2.54mm, 1 x 44 pin 2.0mm  
CF Card Type II for ATA interface
- . SATA 1 x SATA port
- . Audio AC-Link for Audio CODEC, AC'97 2.1 ( for CV700A only )
- . LAN 3 x Realtek 10 / 100 Mbps ( optional Realtek / Intel Gigabit )  
Intel 82541PI or Realtek RLT8100C / RLT8110SC LAN Chip
- . IO function 2 x RS232  
Supports Infrared SIR & FIR  
Supports one printer port
- . USB 7 x USB 2.0 ( 3 external + 4 internal )
- . TV-Out (option) Supports all NTSC & PAL formats. Resolution : 1024 x 768
- . WDT (option) Hardware Watch Dog Timer, 0~255 sec programmable
- . Expand interface 1 x Mini PCI socket
- . Power On board DC +12V ± 5% convert to +3.3V / +5V / +12V for system
- . Dimension 200 x 150 mm
- . Operation Temp. 0 ~ 60 °C
- . Operation Humidity 5~95% @ 60 °C, non-condensing

### Ordering Information

- . CV700A/702A-3R50E 3 Realtek LAN, 500 MHz, VIA V4 Eden processor
- . CV700A/702A-3R10U 3 Realtek LAN, 1 GHz, VIA V4 Eden ULV processor
- . CV700A-3U10U 3 Intel LAN, 1 GHz, VIA V4 Eden ULV processor

### Testing environment

Model name : CV700A-3R10U  
 CPU : VIA Eden ULV 1 GHz  
 Chipset : VIA CN700 & VIA VT8237R PLUS  
 OS : WIN XP  
 Testing Program : 3D Mark 2001 SE

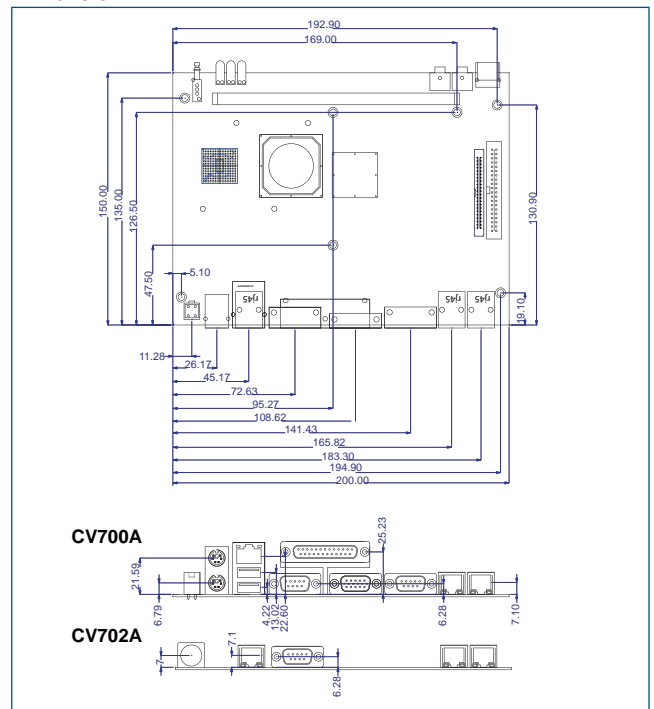
Fanless solution with CF card			
Chassis Temperature	Light	Neo	Twister
0°C	Pass	Pass	Pass
25°C	Pass	Pass	Pass
40°C	Pass	Pass	Pass
60°C	Pass	Pass	Pass

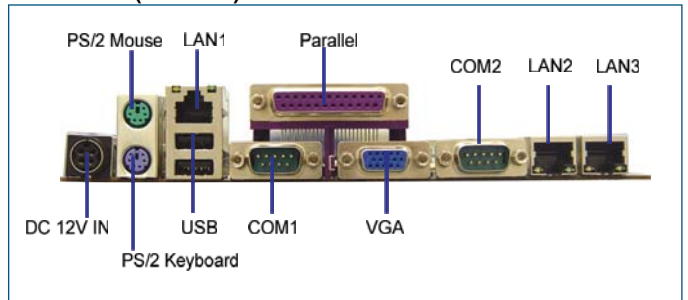
Fanless solution with 2.5" HDD			
Chassis Temperature	Light	Neo	Twister
0°C	Pass	Pass	Pass
25°C	Pass	Pass	Pass
40°C	Pass	Pass	Pass

Please upgrade the hard drive to industrial grade for better temperature performance.

### Dimension



### Back Panel ( CV700A )



### Back Panel ( CV702A )

