

# OV-515

## 50" SXGA+ DLP™ projection module



Barco's OV-D2 series integrates cutting edge DLP™ technology into 50" video wall systems that are designed and optimized for use in a 24/7 mission critical environment. The Barco designed projection engine provides a set of unique features, resulting in an unrivaled DLP™ rear projection system with outstanding picture quality, reliability and ease of use.

### Superior display quality

- Latest high contrast DLP™ technology
- Brightness, contrast, and large viewing angles tailored to the human eye providing maximum readability
- Vibrant colors
- Sense<sup>6</sup> technology providing consistently excellent video wall uniformity over time

### Reliability and lifetime serviceability

- Engineered for ease of maintenance and serviceability
- Durable components with high reliability from lamp to screen
- Dual redundant lamp offering 100% reliability
- Easy lamp replacement from the rear of the system while system runs
- 100% sealed off optical engine, preventing dust contamination
- Fast Ethernet communication allowing redundant projection access for direct control and configuration
- Barco's Lamp-Lease Program allowing to efficiently control operational costs

### Flexibility

- Designed to form video walls of any size, in a linear or curved setup
- Requires minimal installation depth
- Innovative modular concept for easier build up and design

### Integrated system

- Barco Wall Control Manager software with central graphical overview of the video wall
- Integrating individual projection modules into a single display

**BARCO**

Visibly yours

## Features of the OV-515 projection modules

### Sense<sup>6</sup>

Sense<sup>6</sup> brings wall uniformity to a next level.

Not only does Sense<sup>6</sup> increase color and brightness uniformity in the corners of each single projection module, Barco's innovative Sense<sup>6</sup> technology also keeps all projection modules equal over time and across the entire video wall.

By integrating a patented brightness and color sensor, the video wall's color and brightness is continuously measured and communicated between projection modules. Sense<sup>6</sup> automatically matches the brightness of full white, full black and all gray levels in between, as well as the colors of all projection modules. The I-lamp recalibrates the color sensor for long-time stability.

Sense<sup>6</sup> operates unnoticed in the background and requires no operator intervention whatsoever. For instance, Sense<sup>6</sup> will work during automatic lamp change without special operator actions. The intended video wall content remains unchanged at all times. No special screen calibration patterns are needed.

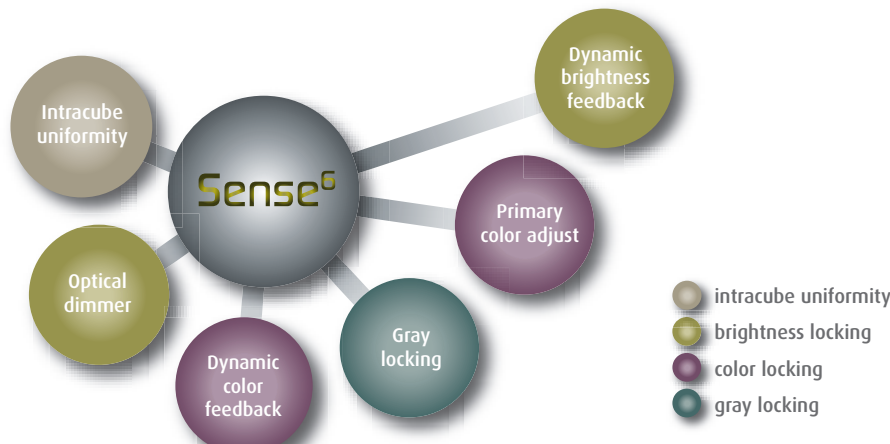


50" OV-515		HVA	HVM	HVX
	Power	Luminance (cd/m <sup>2</sup>   ftL) (1)		
	120 W	325   96	650   191	1605   472
	132 W	355   104	715   210	1765   519
180 W	485   143	n.a.	n.a.	
	Seam size screen mullion	0 mm		
	interscreen gap	< 0.8 mm(2) or 0 mm ZeroGap technology		
	Humidity conditions	Up to 80% non condensing		
	Temperature conditions	10°C-40°C   50°F-105°F		
	Storing conditions	0°C-40°C   32°F-105°F		

(1) @ 6500 K, values are approx. 50% @ 3200 K

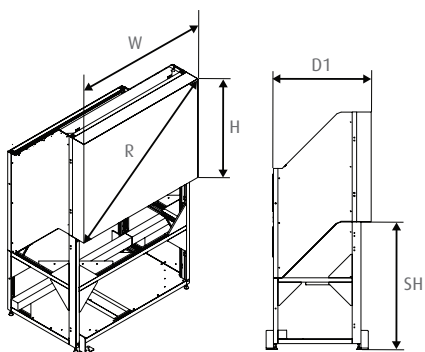
(2) @ 25°C, 50% RH

Screens	Screen type	Brightness	Viewing angle	Full viewing angle	Half gain angle (h.v.)	1/5 gain angle(h.v.)
	HVA	Normal	Excellent	180°	±35°   ±35°	~ ±65°   ±65°
	HVM	Medium	Wide	180°	±35°   ±27°	~ ±45°   ±41°
	HVX	High	Medium	160°	±35°   ±10°	~ ±45°   ±17°



$\Delta E^*$  is a parameter which incorporates color and brightness differences into one unit. Additionally,  $\Delta E^*$  takes into account the adaptation level of the human eye to brightness and color.

<b>Sense<sup>6</sup></b>	<b>Sense<sup>6</sup> (Optional)</b>	
	<b>Color shift between projection modules over time</b>	Shift in $\Delta E^*$ over time < 3 (with color lock)
	<b>On-screen brightness uniformity</b>	Very high brightness and color uniformity
	ANSI 9 brightness min.	97%
	ANSI 13 brightness typ.	95%
	<b>Projector color/brightness uniformity</b>	
	$\Delta E^*$ intercube typ.	< 6
	$\Delta E^*$ intracube typ.	< 3
	<b>Brightness locking</b>	Makes brightness of all projection modules equal at all times without operator intervention High Dynamic Range (HDR) by optical dimming preserves contrast, independent of brightness level or lamp life Active dynamic brightness sensor feedback technology measures brightness and serves as input to the optical dimmer
	<b>Color locking</b>	Makes color of all projection modules equal at all times without operator intervention Primary Color Adjust is a color algorithm that adjusts color to a common color target in red, green, blue and white Active dynamic color sensor feedback technology collects color information from all projection modules. The True Color Sensor measures the complete spectrum rather than just red, green and blue and is based upon the standard spectral function according to CIE 1931
<b>Gray locking</b>	Makes gray levels equal across projection modules	



<b>Dimensions</b>	<b>OV-515</b>	
	<b>Width W</b>	1000 mm   39.4"
	<b>Height H</b>	750 mm   29.5"
	<b>Diagonal R</b>	50" nominal
	<b>Full depth D1</b>	664.5 mm   26.2"
	<b>Aspect ratio</b>	4:3
	<b>Standard height SH</b>	875, 1000, 1200 mm   34.5", 39.4", 47.2"
	<b>Min screen height SH</b>	455 mm   17.9"
<b>Weight/module</b>	65 kg   143 lbs	

# Technical specifications OV-515

Display capabilities	<b>Resolution</b>	SXGA+ 1400 x 1050 TruePixel			
	<b>Absolute resolution</b>	36 dpi			
	<b>Luminous flux @ 6500 K @ 132W</b>	1000			
	<b>Dynamic contrast</b>	5100:1			
	<b>Color</b>	100% EBU			
	<b>White point</b>	6500 K, natural lighting (¹)			
Imaging device	<b>DMD chip</b>	0.95" LVDS ±12° DarkChip3, BrilliantColor™			
	<b>Pixel accuracy</b>	PixelTrue display, shows each pixel true to the input pixels without scaling or smoothing effects			
	<b>MTBF of DMD</b>	typ. 650,000 hours			
	<b>Lifetime of DMD</b>	typ. > 100,000 hours			
	<b>Image retention</b>	No image retention or burn-in			
	Lamps	<b>Lamps</b>	Choice between 120 W, 132 W and 180 W		
<b>Lamp life (²)</b>		120 W	132 W	180 W	
		10,000 hrs	6,000 hrs	6,000 hrs	
<b>Lamp redundancy</b>		Cold standby or hot standby with redundant power supply Automatic lamp switch by autosensing lamp failure			
<b>Lamp replacement</b>		Defect lamp can be hot-swapped without image loss			
<b>Lamp switch</b>		Dynamic feedback of brightness and color readjusts video wall to equal performance			
<b>Switching time</b>		< 1.5 seconds			
<b>I-lamp</b>		Intelligent lamp carries a.o. lamp life information & spectrum			
Color wheel		<b>Color wheel, rotation speed &amp; lifetime</b>	Color wheel cartridge with MTTR < 5 minutes		
			3x speed for better image representation		
			Air bearing with rating of 50,000 hours		

Power	<b>AC input voltage</b>	100-240 VAC, 60-50 Hz			
	<b>Power (W)</b>	120 W	132 W	180 W	
	Cold standby	< 250	< 275	< 335	
	Hot standby	< 390	< 430	< 550	
	<b>Heat dissipation (BTU/h)</b>	120 W	132 W	180 W	
	Cold standby	< 850	< 900	< 1145	
	Hot standby	< 1325	< 1375	< 1875	
Signal	<b>Signal input/output</b>	1 x DVI-D in/out, 1 x Dual-link DVI-D in/out			
	<b>Pixel clock</b>	162 MHz   270 MHz (³)			
	<b>Input frequency</b>	Multi sync 30-75 Hz			
	<b>Genlock range</b>	Genlock in 49-61 Hz range			
	<b>Supported input resolutions</b>	VGA, SVGA, XGA, SXGA, SXGA+, UXGA, 1080p, dual XGA, triple XGA (³), quad XGA (³), dual SXGA+(³)			
	<b>Cropping</b>	Possible			
	<b>Scaling (optional)</b>	Up- and down scaling			
	Communications	<b>Barco Wall Control Manager</b>	Graphical representation of video wall on operator PC		
			Integrates separate projection modules into a single display, allowing a.o. Sense⁶		
			Client – server architecture provides central video wall logic with multiple access from multiple sites		
			Health status in the blink of an eye and support for trouble shooting		
			Configuration of different settings		
			Wall control by the operator		
			Multiple access levels		
		<b>Direct ethernet access</b>	Projection module settings and control through standard ethernet browser		
		Easy and fast firmware upgrade over ethernet			
<b>Autodiagnosics</b>		Projector self test			
<b>Integration to third party equipment</b>	External video wall control from different devices through SOAP based API				

(¹) Special 3200 K option for backdrop • (²) Lamp manufacturer specs @ IEC 61947-1 test conditions  
(³) On second input

Ref. no. R599167SSE1008R004

Barco is an ISO 9001 registered company. The information and data given are typical for the equipment described. However any individual item is subject to change without any notice. The latest version of this product sheet can be found on [www.barco.com](http://www.barco.com)  
DLP™ technology by Texas Instruments offers crystal clear images with superior quality. DLP, Brilliant Color are trademarks of Texas Instruments.



Contact Barco  
Europe, Middle-East, Africa: +32 56 26 20 09  
USA: +1 678 475 8000  
Latin America: +55 11 38421656  
Japan: +81 3 5762 8727  
China: +86 400 88 22726  
[sales.security\\_and\\_monitoring@barco.com](mailto:sales.security_and_monitoring@barco.com)

