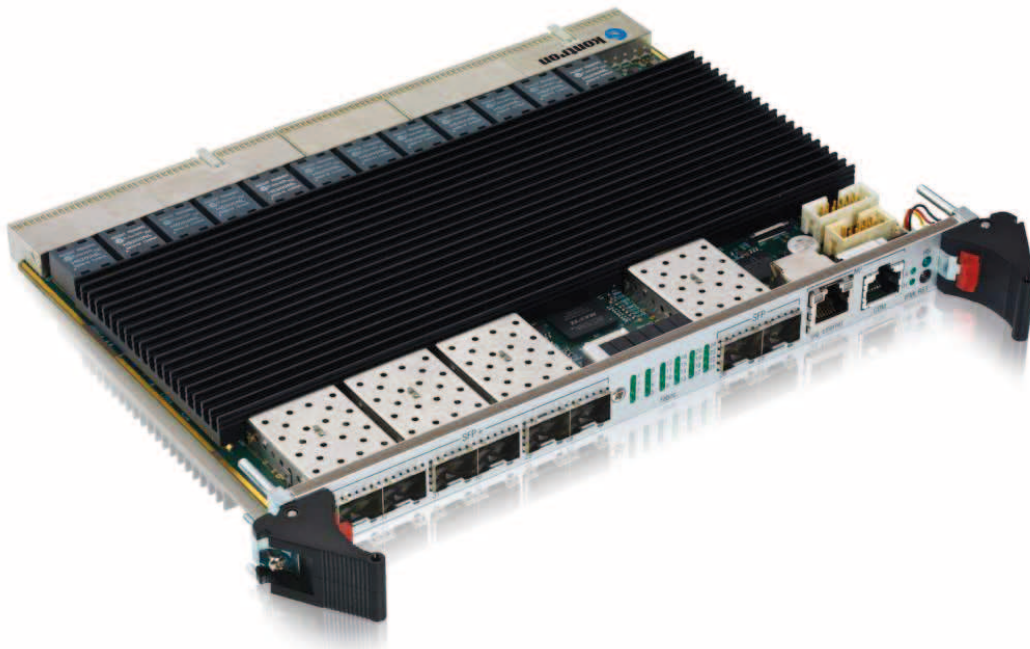


» CP6930 «



CompactPCI[®]

32 Port 1/10 Gigabit managed non-blocking Layer 2 & 3 CompactPCI / VME Ethernet Switch

- » Fully managed layer 2 & 3 switching and routing
- » Rugged, Reliable & Robust
- » Versatile, complete rear I/O and uplink support
- » DHCP server & boot media support

CP6930

32 Port 1/10 Gigabit managed non-blocking Layer 2 & 3 CompactPCI / VME Ethernet Switch

The Kontron CP6930 is a non blocking fully managed L2/L3 10Gb Ethernet Switch and provides rich and versatile feature support by using highest integration of Ethernet switch silicon.

Bandwidth

The CP6930 is designed for future oriented applications requiring outstanding bandwidth and communication safety. 6 SFP+ front ports running at 10Gb/s full line speed and 2 SFP ports at the front providing 1Gb support gives flexibility and an intrinsic value for todays investments. The 24 rear ports according PICMG2.16 and VITA31.1 fulfil the requirement of CompactPCI and VME systems with highest computing performance.

Reliability

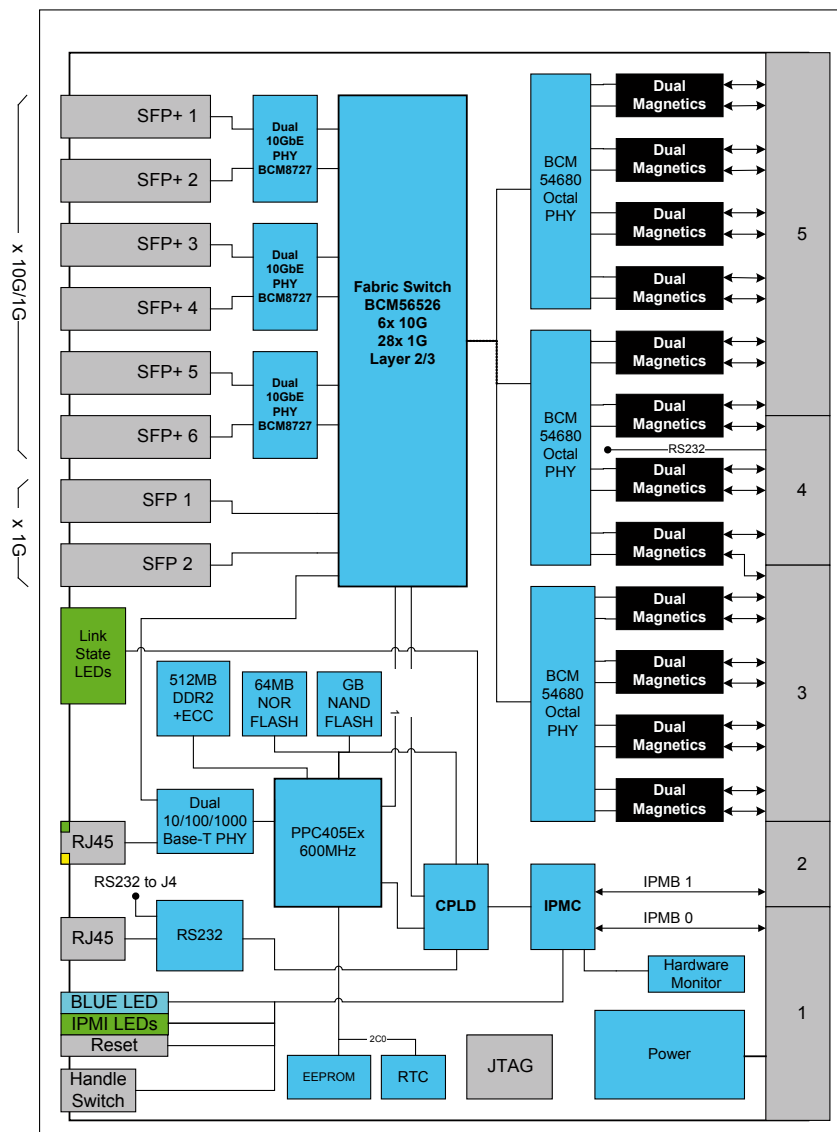
The robust design features including hardware hot swap as well as complete SNMP management support sets the foundation for robust and reliable systems. Built-In test capabilities enable effective switch maintenance.

Management

The CP6930 can be monitored via SNMP, which also allows access to the devices connected to the backplane.

A comprehensive command line interface provides easy management and remote configuration by either serial or network interface.

Support for features like IP forwarding & multicast, routing & switching, Quality of Service, VLANs it is an ideal Switch for CompactPCI and VME systems according PICMG2.16 and VITA31.1.

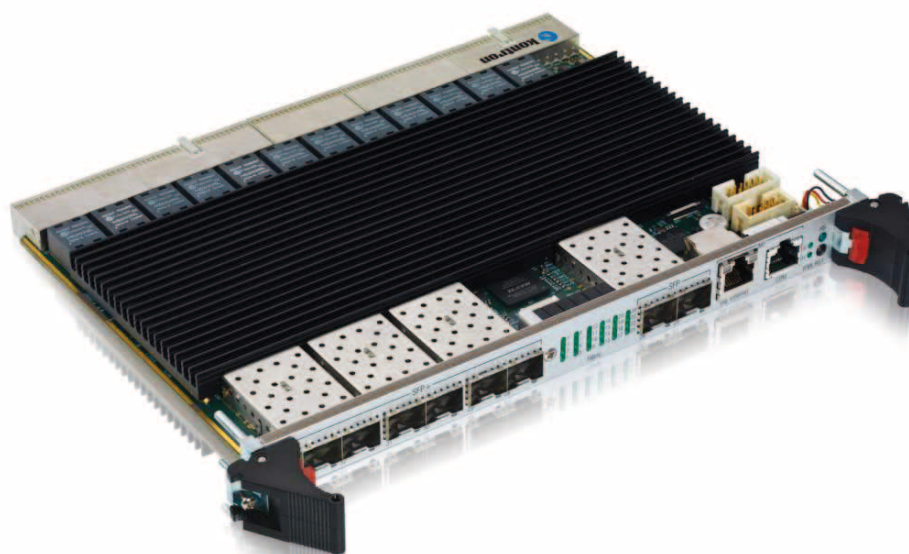


Technical Information

Compliance	<p>CompactPCI Core Specification PICMG 2.0 Rev. 3.0 CompactPCI HotSwap Specification PICMG 2.1 R 2.0 CompactPCI System Management PICMG 2.09R1.0 CompactPCI Packet Switching Backplane PICMG 2.16 R. 1.0 VNE64x Packet Switching Backplane VITA 31.1 Intelligent Platform Management Interface Specification V1.5 ANSI/Vita 47-2005 IEC 60068-2-6, IEC 60068-2-27, IEC 60068-2-29 EN 60950, UL60950, LVD 73/23/EEC, Denan Law compliant</p>
Interfaces	<p>8x 1GBase-X uplinks (SFP connector cages), 6 of them configurable for 10GBase-X operation using SFP+ optical transceivers. SGMII support for 'Copper-SFPs' in 2 of the 8 front panel uplink ports, providing 10/100/1000Base-T modes of operation. 1x 10/100Base-T for Management (RJ45 connector) 1x RS232 for Management (RJ45 connector) Reset Switch Status LEDs 24x 10/100/1000 Base-T link ports on backplane or RTM</p>
Controller and Switch	<p>Broadcom BCM56526 Ethernet Switch PowerPC IBM PPC405Ex 600 MHz with 512MB RAM NXP uController for IPMI</p>
Management	<p>Management via SNMP, Command Line (Telnet, SSH)</p> <ul style="list-style-type: none"> » In-band » Out of band via Ethernet or RS232 <p>IPMI version 1.5, Power On Self Test DHCP server, relay and Boot media support Reliable software, field upgradable Dual boot images with roll-back capabilities Advanced management monitoring features Ethernet/Bridging protocols include</p> <ul style="list-style-type: none"> » Link aggregation (802.3ad) » VLANs (802.1Q) » QoS (IEEE 802.1p) » Spanning tree (802.1D, 802.1w) » Flow control (802.3x) » GARP/GVRP, GMRP » ARP, ICMP, OSPF, RIP, VRRP, DVMRP <p>Enhanced Features are</p> <ul style="list-style-type: none"> » Egress ACLs, IP ACL support » Auto VoIP » IGMP snooping & proxy support » Startup configuration configurable » Watchdog » Cable test
General	
Power Consumption	Max. 75 W
Dimensions	233.5 mm x 160 mm, 6U
Weight	Approx. 800gr.
MTBF	217.387h acc. Telcordia Issue 1, Method I Case 3 Ground Benign, Controlled
Temperature Range	0°C to +60°C
Humidity	93% RH at 40 °C, non-condensing (acc. to IEC 60068-2-78)

Ordering Information

Article	Order-No.	Description
CP6930	1036-1656	6U, single slot Gigabit Ethernet Switch with complete L2/L3 management, 24x rear 1GbE, 2x front 1GbE and 6x 10GbE Uplinks.
CP-RI06-923	36309	6U, 4HP, rear transition module for PICMG2.16 switch, 12 ports (ports 12 to 23), RJ45, RS232 on RJ45.
CP-RI06-923	36310	6U, 8HP, rear transition module for PICMG2.16 switch, 24 ports (ports F, 1 to 23), RJ45, RS232 on RJ45.



CORPORATE OFFICES

Europe, Middle East & Africa

Oskar-von-Miller-Str. 1
85386 Eching/Munich
Germany

Tel.: +49 (0)8165/ 77 777

Fax: +49 (0)8165/ 77 279

info@kontron.com

North America

14118 Stowe Drive
Poway, CA 92064-7147
USA

Tel.: +1 888 294 4558

Fax: +1 858 677 0898

info@us.kontron.com

Asia Pacific

17 Building, Block #1, ABP.
188 Southern West 4th Ring Road
Beijing 100070, P.R.China

Tel.: + 86 10 63751188

Fax: + 86 10 83682438

info@kontron.cn

