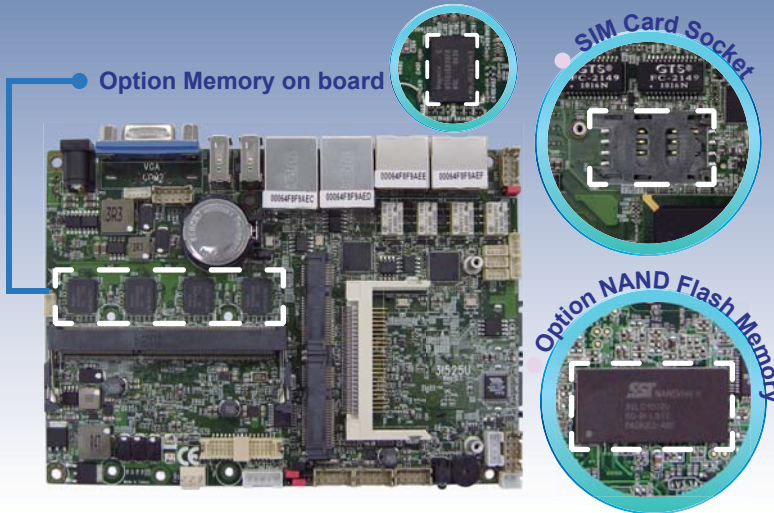


# Embedded Solution

# Networking application



## 31525U Series

### Application

Embedded Network applications for Firewall / VPN / IP Camera Server

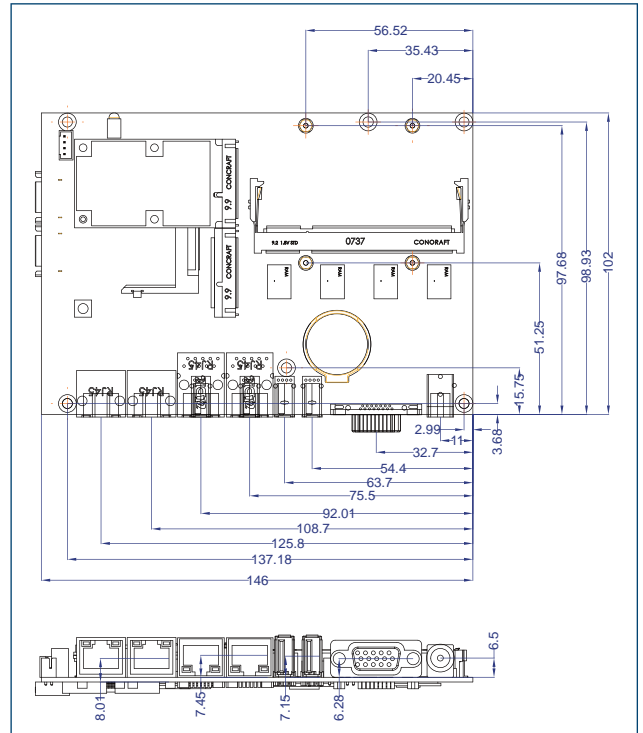
### Features



### Specifications

MODEL	31525U Series
CPU Type	Intel Atom D525 1.8 GHz ( Dual core processor )
MB Chipset	Intel Atom D525 + ICH8M ( 82801 HBM )
Graphics	Intel Luna Pier Refresh Pineview-D Integrated Graphics Engine
LVDS (option)	Data format of 18 bits
System Memory	1 x DDR3 SO-DIMM socket ( max. 4GB ) or On board DDR3 SDRAM 1GB & 1 x DDR3 SO-DIMM socket ( max. 2GB )
NAND Flash Memory	CF Card Type 2 socket for ATA interface On board SSD 2 / 4 / 8 GBytes ( option )
SATA	1 X SATA port ( SATA 2 for option )
Audio (option)	Intel HD Audio Specification Rev. 1.0 Compliant Support Line-out / Mic-in / Line-in
LAN	4 x Intel 82583V / 82574L 10 / 100 / 1000 Mbps
IO Function	COM1 Wafer 5pin ( TTL Level ), 1 x RS232 ( 31525U-C4U model only )
USB	7 x USB 2.0 ( 2 external + 5 internal )
Touch Screen (option)	USB interface Touch screen controller Supported 4- , 5- , 8- wire Analog Resistive touch screen Resolution: 2048 x 2048
DIO & WDT (option)	Hardware digital Input & Output, 8 x DI / 8 x DO Hardware Watch Dog Timer, 0~255 sec programmable
Expansion Interface	2 x PCIe mini card for PCIe & USB interface 3G SIM card socket
Power	On board DC +12V ± 5% convert to +3.3V / +5V / +12V for system
Dimension	145 x 102 mm ( 3.5 inch )
Operation Temperature	0 ~ 60 °C
Operation Humidity	5 ~ 95% @ 60 °C, non-condensing

### Dimension



### Ordering Information

- 31525U-V4U-H13-00 4 Intel GbE, 1GB DDR3 on board
- 31525U-V4U-000-00 4 Intel GbE, DDR3 SO-DIMM socket
- 31525U-V4L-000-00 4 Intel 82574L GbE, 1 x DDR3 SO-DIMM socket
- 31525U-C4U-000-00 4 Intel GbE, 1 x DDR3 SO-DIMM socket, ( 1 x RS232 + VGA wafer )

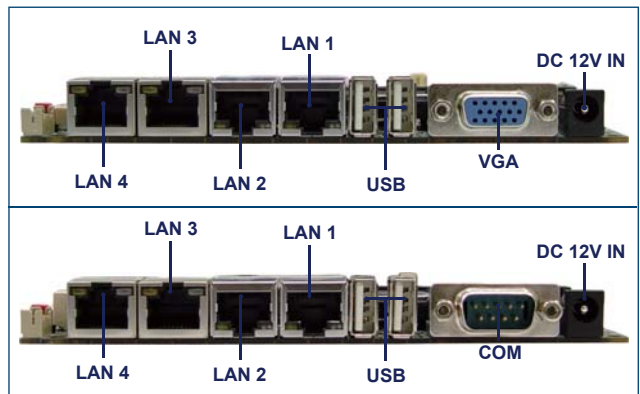
### Testing environment

Model name: 31525U-V4U-H13-00  
 CPU: Intel Atom D525 1.8 GHz  
 Chipset: Intel Atom D525 + ICH8M  
 OS: WIN XP  
 Testing Program: 3D Mark 2001

Fanless solution with CF card					
Chassis Temperature	LEO	TWITTER	BRIK	NEO	1U half fanless
0°C~40°C	Pass	Pass	Pass	Pass	Pass
60°C	Pass	Pass	Pass	Pass	—
Fanless solution with 2.5" HDD					
Chassis Temperature	LEO	TWITTER	BRIK	NEO	1U half fanless
0°C~40°C	Pass	Pass	Pass	Pass	Pass
50°C	Pass	Pass	Pass	Pass	—

Please upgrade the hard drive to industrial grade for better temperature performance.

### Back Panel



Car PC

Networking

POS / Automation

DVR

Digital Signage / Thin Client

Embedded System

Panel PC